



JUNIOR SERIES

JUNIOR WHISK

Ref : FT005



DESCRIPTION

- Lightweight, quick and efficient.
- Non detachable whisk: ensures durability of the product.
- Very handy.
- Safety button.
- Double insulation.
- Variable speed as standard.
- Stainless steel ejectable whisks for easy cleaning and perfect hygiene.

USE

With the Junior whisk, you can prepare with ease creams, mousses and especially egg whites, slowly whipped and finished to great speed to an abundance and unmatched hold.

In the same way, you can prepare without difficulty genoise, crêpes dough, almond paste, meringues, butter cream, soufflés, chantilly, sauces, curd-creamy cheese and mayonnaise...

Capacity : 1 to 5 Liters

MAINTENANCE

Clean the whisk by passing it under the faucet.

Put the whisk in clear water and start the machine for 3 seconds or more to clean the whips.

Wash the motor block with a sponge or with a slightly damp cloth.

Never clean this machine with water jet spray or in the dishwasher.



TECHNICAL DATA

OUTPUT MAX	270 W
SPEED	300 to 2000 R.P.M.
VOLTAGE	110 - 120 V or 220 - 240 V
TOTAL LENGTH	500 mm
WHISKS LENGTH	225 mm
DIAMETER	94 mm
ACTUAL WEIGHT	1,4 kg

www.dynamicmixers.com

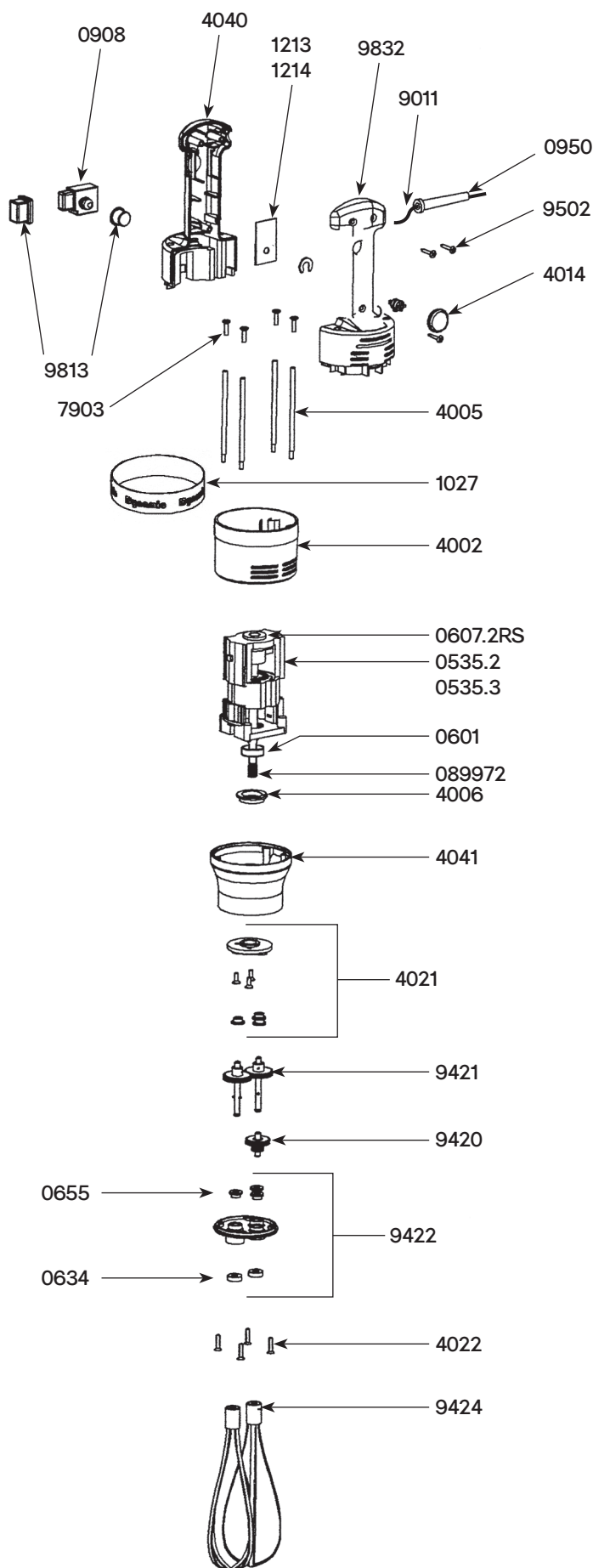
Dynamic - 518 rue Léo Baekeland BP57 - 85290 Mortagne sur Sèvre

Tél : +33 (0)2 51 63 02 72 • E-mail : contact@dynamicmixers.com

Follow us on social networks !



TECHNICAL SHEET



Parts list

Code

Motor 230 V + Gear	0535.2
Motor 115 V + Gear	0535.3
Lower ball bearing motor	0601
Upper ball bearing motor	0607.2RS
Waterproof seal	0634
Self-lubricating ring	0655
Pin 3x14	0745
Non-locking switch	0908
Strain relief 230 V	0950
Strain relief 115 V	0950.1
Dynamic label	1027
Speed variator 230 V	1213
Speed variator 115 V	1214
Upper motor housing	4002
Braces (4)	4005
Ball bearing ring	4006
Filtering capacitor	4012
Speed variator knob	4014
Plate w/ seals and screws	4021
Holder assembly screws x4	4022
Lower half handle w/ Junior Whisk label 230 V	4040
Lower half handle w/ Junior Whisk label 115 V	4040.1
Lower aluminium motor housing	4041
Complete handle Junior Whisk 230 V	4042
Complete handle Junior Whisk 115 V	4042.1
Carbon brushes (2) 230 V	4050
Carbon brushes (2) 115 V	4050.1
Brace screws (4)	7903
Power cord 230 V	9011
Power cord 115 V	9040
Power cord Australia	9066
Power cord UK	9067
Middle gear & axle	9420
Equipped output axle w/ 2 gears+pins	9421
Holder assembly w/ seals & washer	9422
Whisk tool (2) - no extractable	9424
Handle screws (3)	9502
Switch protector	9813
Upper half handle	9832
Label w/ serial number 230 V	1099.10
Label w/ serial number 115 V	1099.11
Wall bracket	089959
Gear + Pin	089972

