



RICER TOOL SERIES

PP520 PLUS

Ref : PP002



EXCLUSIVE PRODUCT



Variable speed



Ref : AC221



Ref : AC220

DESCRIPTION

- Complies with the HACCP requirements.
- Powerful and heavy duty.
- Detachable ricer tool for easy maintenance and cleaning.
- Stainless steel perforated grid and blade that can be easily dismantled for cleaning.
- Average throughput: 10 kg/min.
- Possibility to adapt a FM PP Whisk tool delivered with a handle.
- Convenient storage.



Detachable stainless steel grid and blade

ACCESSORY : FM PP



Ref : AC208



USE

It allows you to mix a creamy purée with entire potatoes directly in pots, avoiding decanting. Also used for many purées and vegetable creams: carrots, tomato sauce, beet, salad dressings, split peas, cauliflowers. Apples, peaches, pears, compote preparations, fruit marmalades and redcurrant, strawberry, banana, raspberry, chestnut creams as well as sorbets and puddings can also be made thanks to the PP 520 PLUS.

Capacity ricer: 20 to 100 Kg. / Capacity whisk: 40 to 100 L.



MAINTENANCE

Clean the tube by passing it under the faucet. The grid and blade can be easily dismantled.

Clean them under running water. Wash the motor block with a sponge or with a slightly damp cloth.

Never clean this machine with a water jet spray or in the dishwasher.



TECHNICAL DATA

OUTPUT MAX	650 W
SPEED	500 R.P.M
VOLTAGE	110-120V - 220-240V 50-60Hz
TOTAL LENGTH	870 mm
SHAFT LENGTH	450 mm
WHISK LENGTH	690 mm
GRID DIAMETER	170 mm
ACTUAL WEIGHT	4,9 kg

www.dynamicmixers.com

Dynamic - 518 rue Léo Baekeland BP57 - 85290 Mortagne sur Sèvre

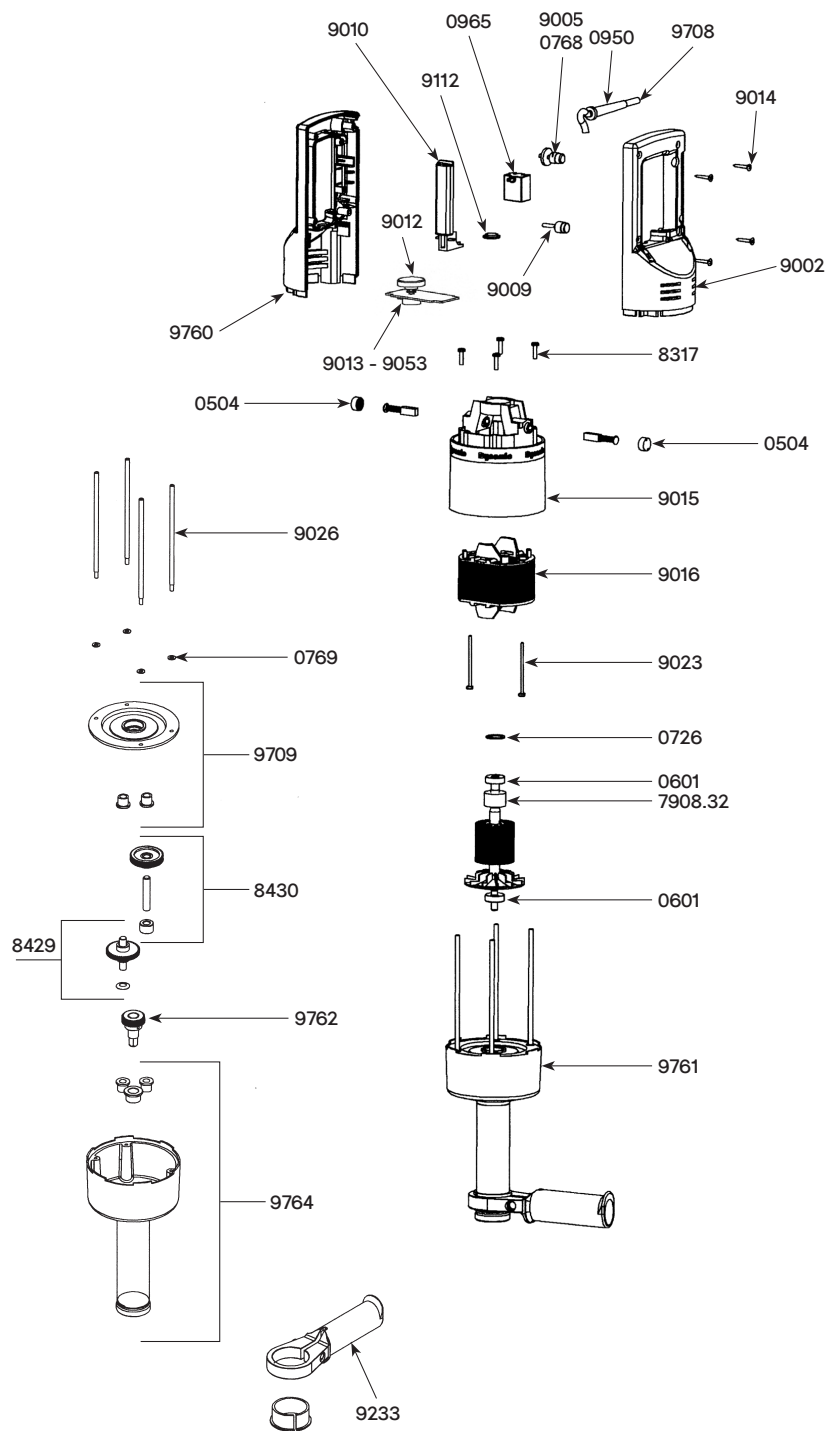
Tel : +33 (0)2 51 63 02 72 • E-mail : export@dynamicmixers.com

Follow us on social networks!



TECHNICAL SHEET

Parts list	Code
Carbon brushes	0504
Ball bearing	0601
Rubber washer	0726
Safety button return spring	0768
Strain relief 230 V	0950
Strain relief 115 V	0950.1
Switch	0965
Capacitor (115 V)	0972
Capacitor + filter	0972.1
Dynamic label	1027
Identification plate 230 V	109913
Identification plate 115 V	109914
Rotor 115 V	7908.31
Rotor 230 V	7908.32
Fan	7933
Brace screws	8317
Upper half handle	9002
Security cap	9005
Handle cap	9009
Control lever	9010
Variable speed knob	9012
Variable speed control board 230 V	9013
Handle screw	9014
Top housing	9015
Stator 230 V	9016
Stator screws 230 V (2)	9023
Stator 115 V	9038
Carbon brush wires (230 V)	9043
Variable speed control board 115 V	9053
Knob (115 V)	9112
Carbon brush wires (115 V)	9143
Power cord 230 V	9708
Power cord 115 V	9708.1
Lower half handle 230 V (with label)	9760
Lower half handle 115 V (with label)	9760.1
Lower motor housing	9761
Complete handle w/ power cord 230 V	9765
Complete handle w/power cord 115 V	9765.1



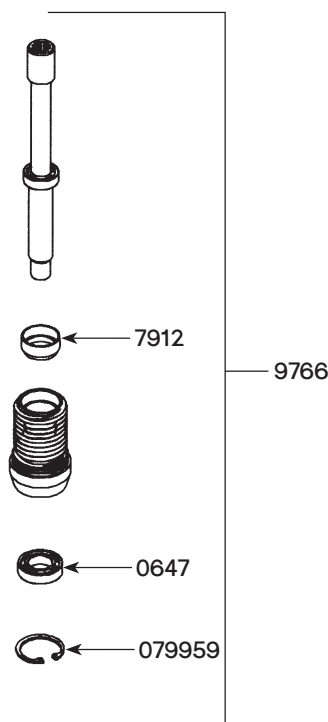
PP EQUIPED LOWER CARTER

Parts list	Code
M4 Washer	0769
Double gear with washer	8429
Middle gear axle	8430
Braces	9026
Handle support	9233
Plate w/ 2 seals	9709
Exit shaft w/ gear	9762
Aluminium carter, foot and seals	9764

FM PP - Ref AC208

Parts list Code

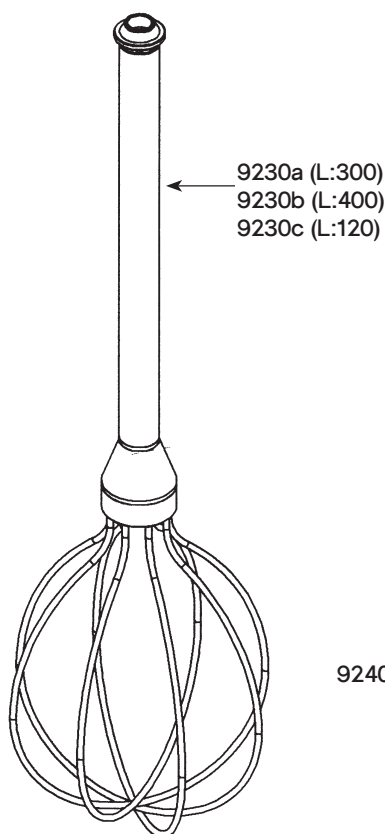
D15 Bearing	0647
Rubber ring	079959
Ball bearing	7912
Mono whisk L : 300	9230a
Mono whisk L : 400	9230b
Mono whisk L : 120	9230c
Equipped male casing (shaft, bearing seal, ball bearing, rubber ring)	9766



RICER TOOL PP - Ref AC220

Parts list Code

Waterproof seal	0609
Toric seal	0641
Rubber washing	0830
Fan	0835
Friction washer	0836
Ricer grid	0842
Bearing seal	7912
Antifriction seal	8422
Lower bolt	8423
Equipped male casing, bearing seal, tube and complete lever assembly	9240
Exit shaft	9241



Wall bracket

Nomenclature des pièces Code

Wall bracket	0881
--------------	------

